

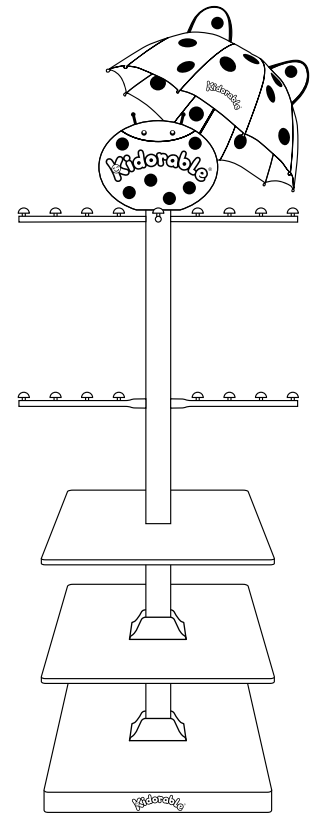


## Kidorable Display Setup Instructions

Congratulations on the purchase of your Kidorable fixture. It is the best way to show your products. Assembly is easy and should just take a few minutes.

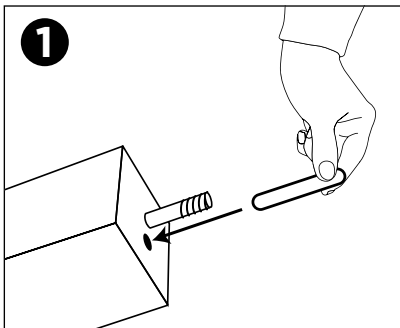
Your fixture should come with:

- |  |  |
|--|--|
| 1 Base   | 2 Top Long Arms  |
| 2 Identical Shelves                            | Screws to attach Top Arms  |
| 2 Identical Lower Tier Supports                | 8 Ladybug Shaped Pegs for Top Arms                                     |
| 2 Wooden Dowels                                | 2 Middle Arms (screw in)   |
| 1 Top Arm Support                              | 1 Sign/Umbrella Display  |
| 1 Long Screw<br>(connected to Top Arm Support) | 1 Umbrella with no handle to be inserted<br>into Sign/Umbrella Display |
| 1 Nut  | 2 Wood Antennae<br>(packed with Sign/Umbrella Display)                 |
| 1 Wrench                                       |  |

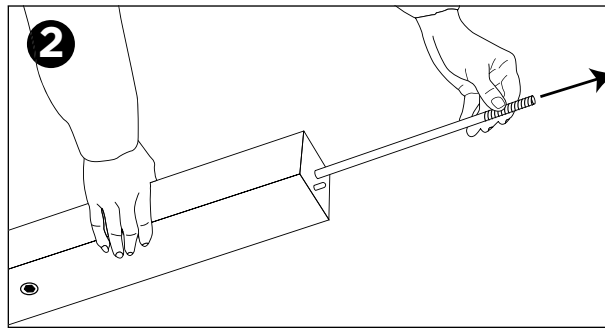


(assembled fixture)

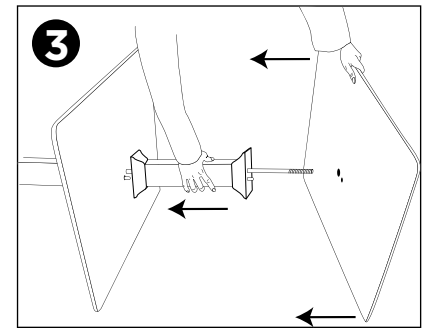
**WARNING: THIS FIXTURE IS NOT A JUNGLE GYM.  
DO NOT PLAY ON, SIT ON, OR LEAN AGAINST THIS FIXTURE.**



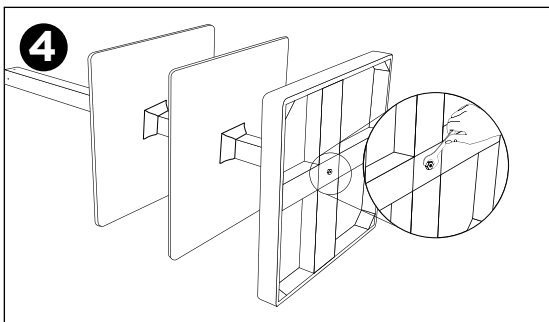
Insert one Wooden Dowel into pre-drilled hold in the Top Arm Support.



Pull the Long Screw out of the Top Arm Support **as far as possible**. It cannot be completely removed.

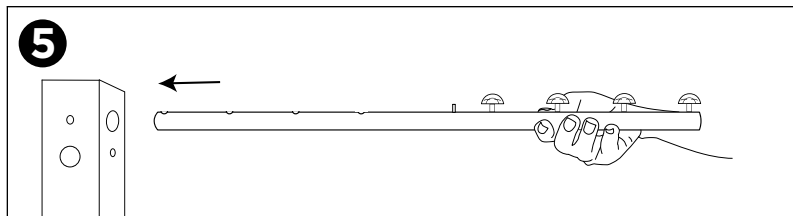


Rest the Long Screw and Top Arm Support on its side and slide on 1 Shelf, then 1 Lower Tier Support. Insert one Wooden Dowel into pre-drilled hole in the Lower Tier Support, then the other Shelf, then the other Lower Tier Support, and lastly the Base.

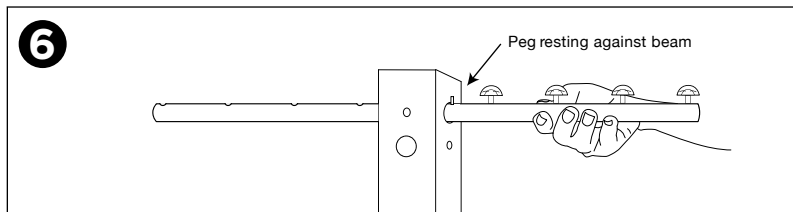


Use the Wrench to tighten the Nut to the bottom of the base. Make sure this Nut is extremely tight. It keeps the whole fixture stable.

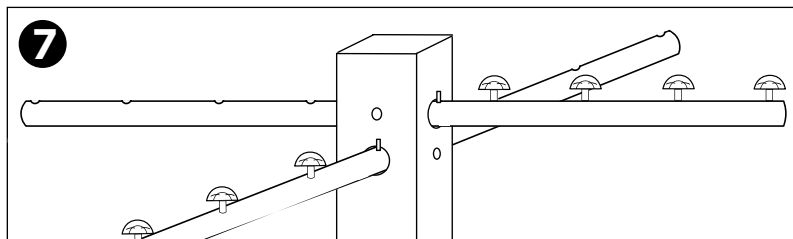
continued on reverse...



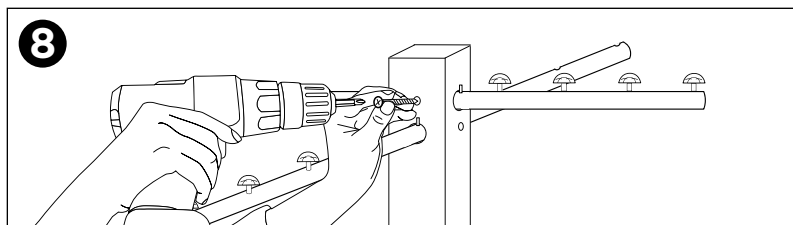
5  
Insert the end of one Top Long Arm (without ladybug pegs) into hole on Top Arm Support.



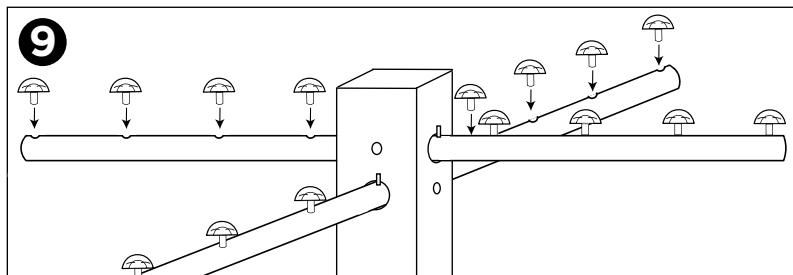
6  
Stop when small peg on arm is resting against the Top Arm Support.



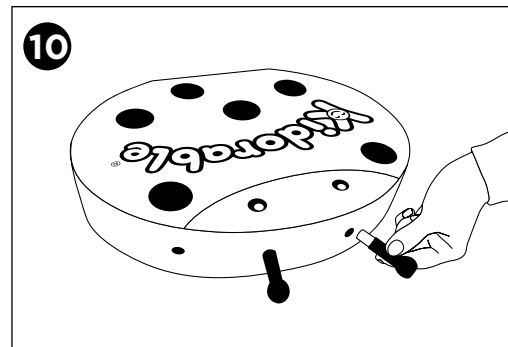
7  
Repeat instructions for second Top Long Arm.



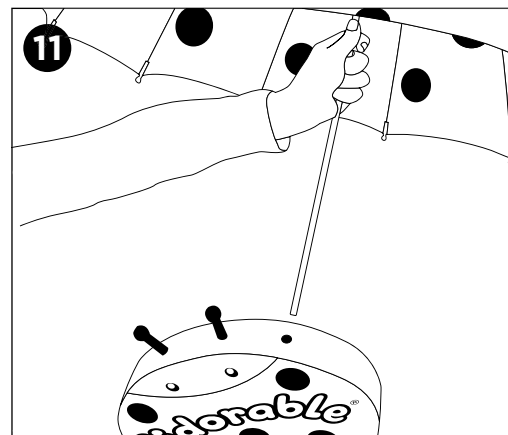
8  
Fasten arms into Top Arm Support by putting one screw into each of the small holes above and below the arm holes.



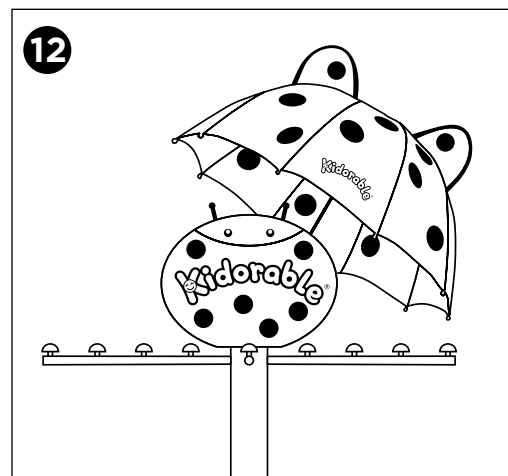
9  
Insert 8 Ladybug Shaped Pegs into empty holes on Top Long Arms.



10  
Insert the Wood Antennae into the oval Sign/Umbrella Display.



11  
Place the umbrella without a handle into the Sign/Umbrella Display.



12  
Stand display upright. Add Sign/Umbrella Display with Opened Umbrella to the Top Arm Support.